



REV: 05182010

ITE / EMBEDDED POWER SUPPLY

PRODUCT FEATURES:

- AC Input 100V ~ 277VAC for lighting applications
- Active PFC for EN61000-3-2 Class D Compliance
- Free Air Convection Cooling
- Standard DC Outputs: 12V to 48V
- Short Circuit Protection
- IP65-rated Metal Case for Indoor/Outdoor Use
- Suitable for LED Lighting and Sign Applications



INPUT SPECIFICATIONS:

VOLTAGE	Universal AC Input (100~ 277VAC) ±10%
FREQUENCY	47-63Hz
INRUSH	25A @ 230VAC Input Range (Max Cold Start)
CURRENT	1.25A @ 230 VAC (Max. Continuous)
PROTECTION	Single 2.0A Fuse / 300 VAC
LEAKAGE	≤2mA @ 264 VAC
HOLD-UP	≥16ms (230 VAC, Full Load)
EFFICIENCY	86% (typical @ 230 VAC, Full Load)
HARMONICS	EN61000-3-2 Class D Compliant (>95 PF)

OUTPUT SPECIFICATIONS:

OUTPUT	(see Table)
MINIMUM LOAD	(see Table)
LINE REGULATION	±1% Max over entire input range
LOAD REGULATION	±1% maximum
RIPPLE	±3% (BW = 20 MHz)
SETPOINT ACCURACY	±1%
EXCURSION	±5% Max for 25% Step Load
RECOVERY	100ms max
OVER-CURRENT	115~150% (Auto-Recovery)
OVER PROTECTION	105~115% (recycle input)

GENERAL SPECIFICATIONS:

OPERATING TEMPERATURE	-20°C to +75°C
STORAGE TEMPERATURE	-40°C to +85°C
COOLING	Convection Cooled
HUMIDITY	5% - 95% (non-condensing)
VIBRATION	10-55Hz, 2G, 3Min Period, 60 min each (3 axes)
SHOCK	20G Peak Acceleration
RELIABILITY	>100K Hours (per MIL STD 217F)
SIZE (INCHES)	3.50" x 8.81" x 2.19" (W x L x H)

EMISSIONS:

EMISSIONS	EN55022 Level A (Conducted)
ELECTROSTATIC DISCHARGE	EN61000-4-2, 4KV Contact/ 8KV Air
RADIATED SUSCEPTIBILITY	EN61000-4-3, 26MHz-1000MHz, 10V/m, 80%AM
EFT/BURSTS	EN61000-4-4, 2KV
SURGES	EN61000-4-5, 2KV Earth, 1KV Line-Line
CONDUCTED IMMUNITY	EN61000-4-6, 0.15KHz-800MHz, 10Vrms, 80%AM
VOLTAGE DIPS	EN61000-4-10, 95% Dip, 10ms / 30% Dip, 500ms
VOLTAGE INTERRUPTIONS	EN61000-4-11, 95% reduction, 5ms
FLUCTUATIONS & FLICKER	EN61000-3-3

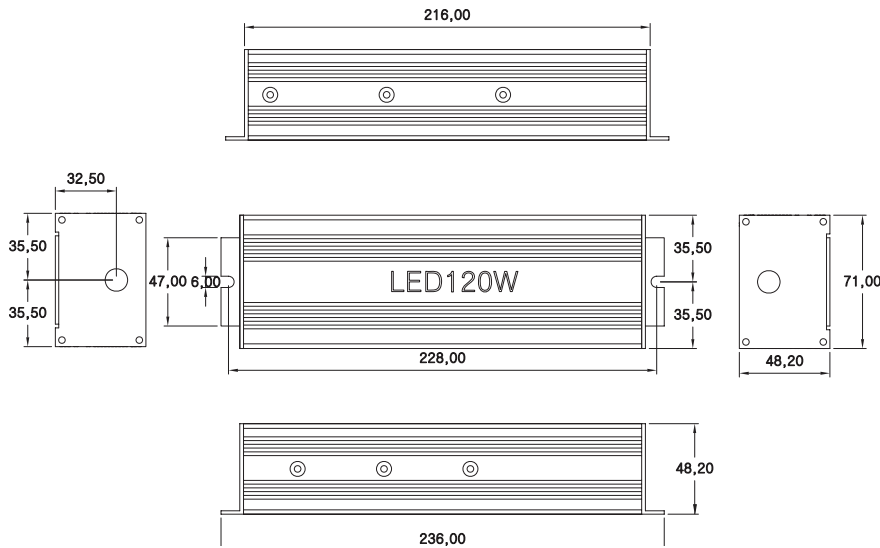
SAFETY STANDARDS:

UL / cUL	60950-1
CE MARK	Low Voltage Directive



Output Models:	OUTPUT		
	VDC	A (Min)	A (Max)
LED-120-12	12V	0.0A	09.1A
LED-120-18	18V	0.0A	6.66A
LED-120-24	24V	0.0A	5.0A
LED-120-30	30V	0.0A	4.0A
LED-120-36	36V	0.0A	3.33A
LED-120-48	48V	0.0A	2.5A

OUTLINE DRAWING:



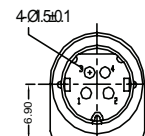
LED-120 Series
Input / Output Connector(s)

Standard Connections:

- * Input: 500mm 3-Wire Tinned Leads, 18AWG
 - AC-L = RED
 - AC-N = BLACK
 - FG = Green
- * Output: 500mm 2-Wire Tinned Leads, 20 AWG
 - DC+ = RED
 - DC- = BLACK

Optional Fixed Connections:

- * Input: 1800mm to USA 3-Prong Plug
- * Output: 500mm to Kycon KPPX-4P



Pins 1,2: Vout(+)
Pins 3,4: GND

